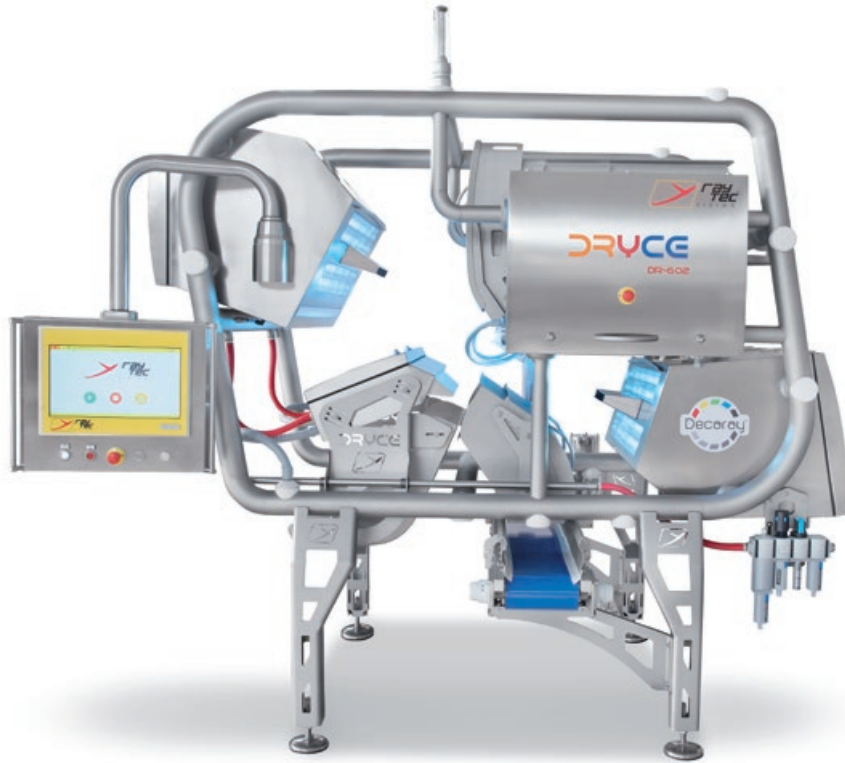


DRYCE™

DR-602 | DR-1202




NEW MACHINE AND TECHNOLOGY FOR DRIED AND FROZEN PRODUCTS

TECHNOLOGIES



ADVANTAGES

-  PULSED LED LIGHT
-  DOUBLE SIDE VIEW
-  4 x 4K
-  SMART JET
-  3WAY REJECT SYSTEM
-  ULTRA CLEAN
-  WATER PROTECTION
-  -60% CLEANING WATER CONSUMPTION
-  18.5" DISPLAY VIEW
-  SAFETY ENGINEERING

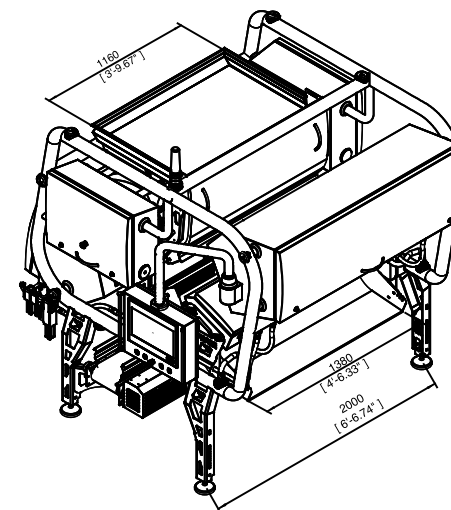
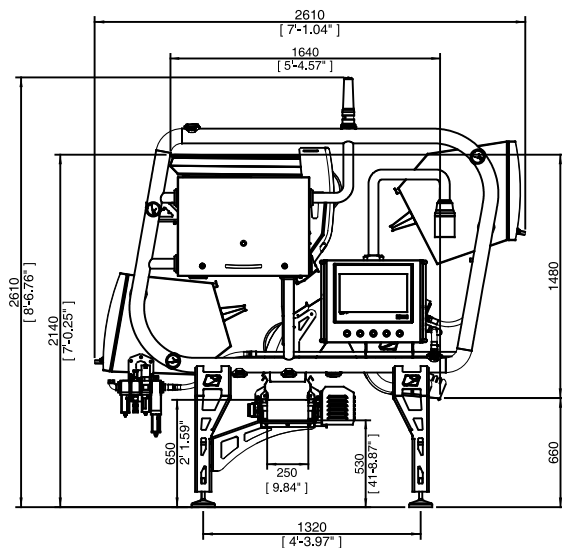
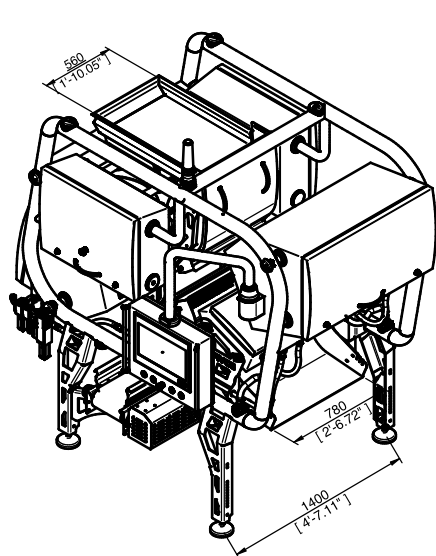
DETAILS



Innovation in Sorting Equipments

WWW.RAYTECVISION.COM





TECHNICAL FEATURES

Optical Resolution	0,5x0,5mm [0.02"x0.02"]
Air Nozzles	96
Nozzle pitch	6mm [0.24"]
User Interface	18" LCD touch-screen monitor
Remote Connection	Ethernet

UTILITIES

* according to reject rate

Power Supply	3F+T [3PH+GND]
Voltage	400/480 V
Frequency	50/60 Hz
Installed Power	4 kW
Air Pressure	6-8bar [87-116psi]
Air Consumption (Typical)*	300NI/min [10Ncuft/min]
Air Consumption (Maximum)	1200NI/min [42Ncuft/min]
Weight	950 Kg

Dimensions, Specifications and Utilities are subject to change without notice

TECHNICAL FEATURES

Optical Resolution	0,5x0,5mm [0.02"x0.02"]
Air Nozzles	192
Nozzle pitch	6mm [0.24"]
User Interface	18" LCD touch-screen monitor
Remote Connection	Ethernet

UTILITIES

** according to reject rate

Power Supply	3F+T [3PH+GND]
Voltage	400/480 V
Frequency	50/60 Hz
Installed Power	4 kW
Air Pressure	6-8bar [87-116psi]
Air Consumption (Typical)*	450NI/min [15Ncuft/min]
Air Consumption (Maximum)	1200NI/min [42Ncuft/min]
Weight	1400 Kg

Dimensions, Specifications and Utilities are subject to change without notice